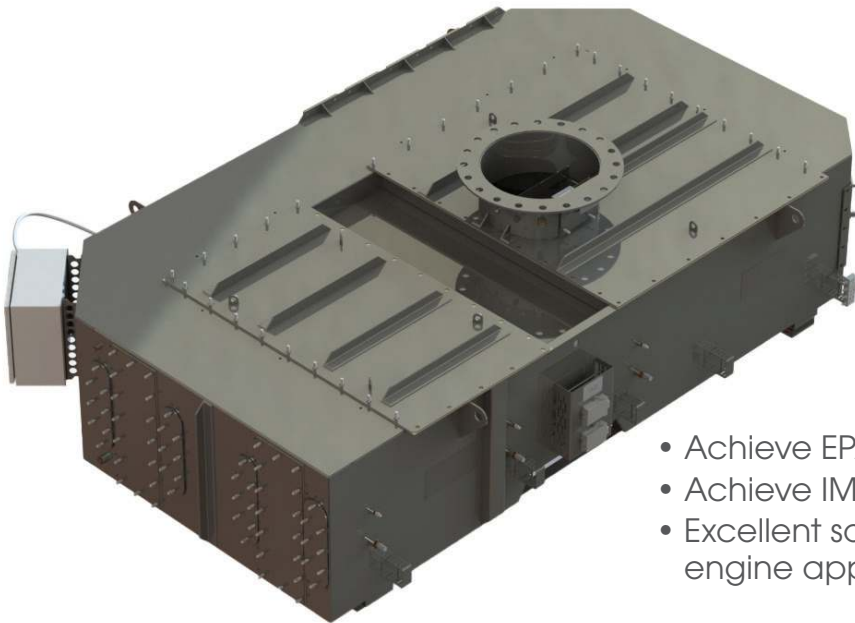


CATALYTIC COMBUSTION

EMISSION TECHNOLOGIES

SILENT[®] SCR SYSTEM **SLx Series**



Patents Pending

For diesel and natural gas engines from 300 kW to 10MW employed in mission critical installations.

- Achieve EPA Tier IV Compliance and beyond
- Achieve IMO Tier III Compliance and beyond
- Excellent solution for NEW and RETROFIT engine applications.

Achievable Emissions:

Pollutants	% Reduction
NOx	> 97%
VOCs	> 95%
CH ₂ O	> 90%
CO	> 95%
HC	> 90%
PM	> 85%
NH ₃ Slip	< 5ppm

Can have integrated sound attenuation up to critical/hospital grade for 35-42 dBA or more.

Industries Served:

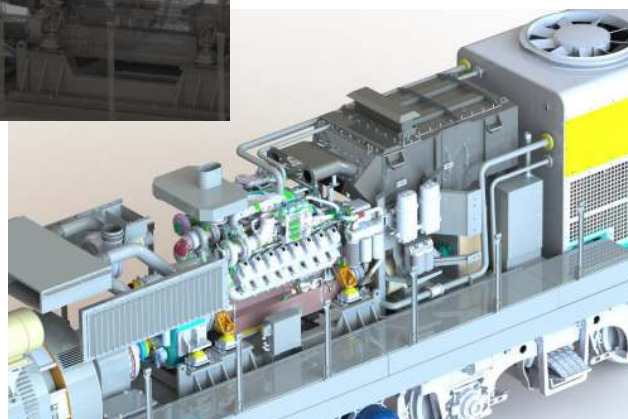
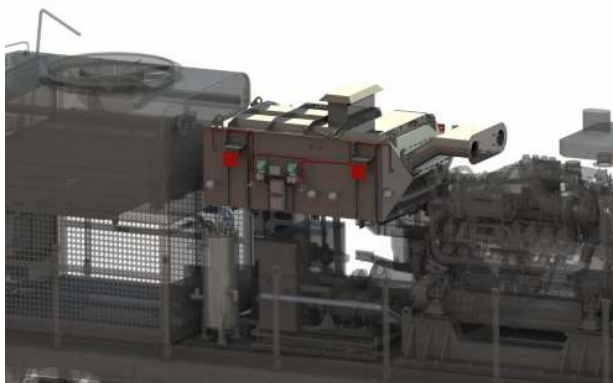
- Utility and Prime Power
- Municipalities
- Marine (Propulsion and Power Generation)
- Rail and Locomotive
- Industrial
- Healthcare
- Mission Critical Facilities
- Combined Heat and Power (CHP)
- Gas Turbines (Simple and Combined Cycle)

A compact solution to control NOx, CO, VOCs, HCs, PM and NH₃ slip all in one engineered system. The most compact design with the multiple technologies in one shape available on the market today.

Flexible Mounting Options:

- Available for indoor and outdoor applications
- Above the engine
- On top of the engine enclosure
- Hang from the ceiling
- Mount vertical or horizontal or on the side
- Flexible inlet and outlet connection locations and diameters
- Pressure drop can be managed depending on application
- Options for SCR reactor heating for immediate NOx reduction

The location of the inlet and outlet locations can be adjusted to meet the installation needs of your project.



Optional Accessories:

- Urea storage tank
- Air compressor
- Urea filling station
- Urea duplex transfer station
- Closed loop control
- Continuous Emissions Monitoring (CEMs) systems
- Remote access with monitoring & controlling can be enabled with internet access
- Platforms and access stairs, etc.

Parts & Service:

- Catalytic Combustion Corporation is well-known for our exceptional Parts & Service Department
- Installation and installation support
- Commissioning
- Long-term service agreements
- Catalyst health check-up
- Catalyst replacement – includes removal, disposal, and installation of new catalyst

Contact Our Headquarters:

311 Riggs Street
Bloomer, Wisconsin 54724
Power-Gen@CatalyticCombustion.com

www.CatalyticCombustion.com

888-285-5940

